

CUSTOM FIT SPEAKER

KFC-HQR135C

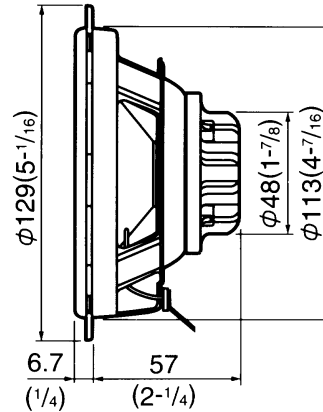
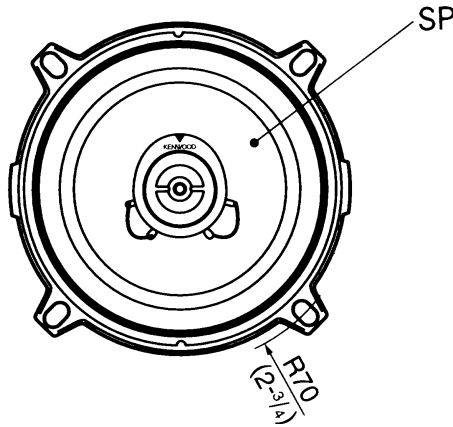
SERVICE MANUAL

KENWOOD

OVERSEAS

©1996-12 PRINTED IN JAPAN
B51-7116-00 (MC) 919

EXTERNAL VIEW



Unit: mm(inch)

PARTS LIST

★ New Parts

Parts without **Parts No.** are not supplied.

Les articles non mentionnés dans le **Parts No.** ne sont pas fournis.

Teile ohne **Parts No.** werden nicht geliefert.

Ref No.	New Parts	Parts No.	Description
① - ⑥		N99-1255-08	Screw set
⑦		J19-3888-08	Gasket
⑧		E30-5292-08	Speaker cord
SP	★	T15-0345-08	Speaker

SPECIFICATIONS

Speakers

Woofer 130 mm (5 in) Pearl Mica Cone Type
23×2 g (0.82×2 oz) Magnet

Tweeter 25 mm (1 in) P.P.T.A. Balanced Dome Type

Peak Power 100 Watts

Frequency Response ... 40 Hz ~30,000 Hz

Sensitivity 90 dB / W at 1 m

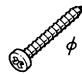







Impedance 4 Ohms

Net Weight 520 g (1.1 lb) / Pair

Note:

We follows a policy of continuous advancements in development.
For this reason specifications may be changed without notice.

PARTS INCLUDED

- ①  $\phi 4 \times 20 \dots \dots \times 8$
- ②  M3 $\dots \dots \times 8$
- ③  M3 $\dots \dots \times 8$
- ④  M3 $\dots \dots \times 8$
- ⑤  $\phi 4 \dots \dots \times 8$
- ⑥  $\phi 4 \dots \dots \times 8$
- ⑦  $\dots \dots \times 2$
- ⑧  4.5m(15ft) $\dots \dots \times 2$